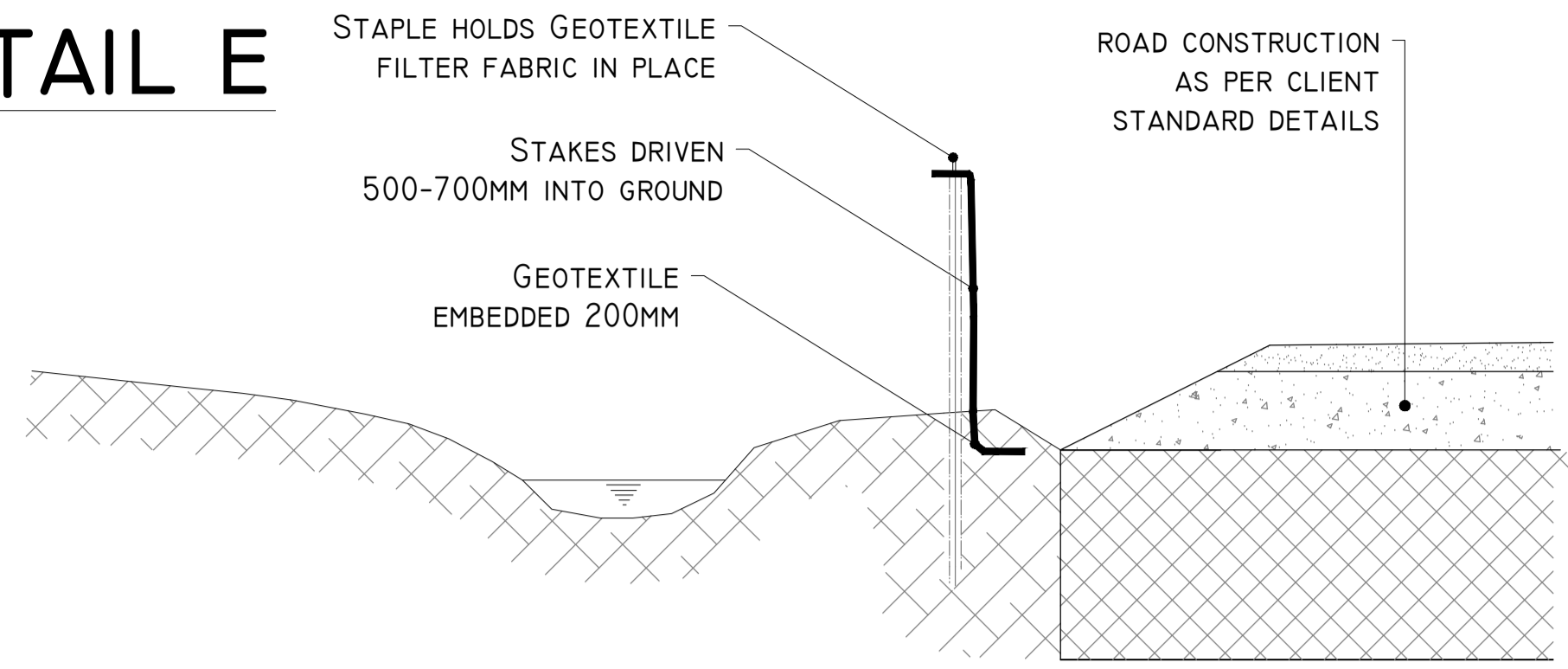
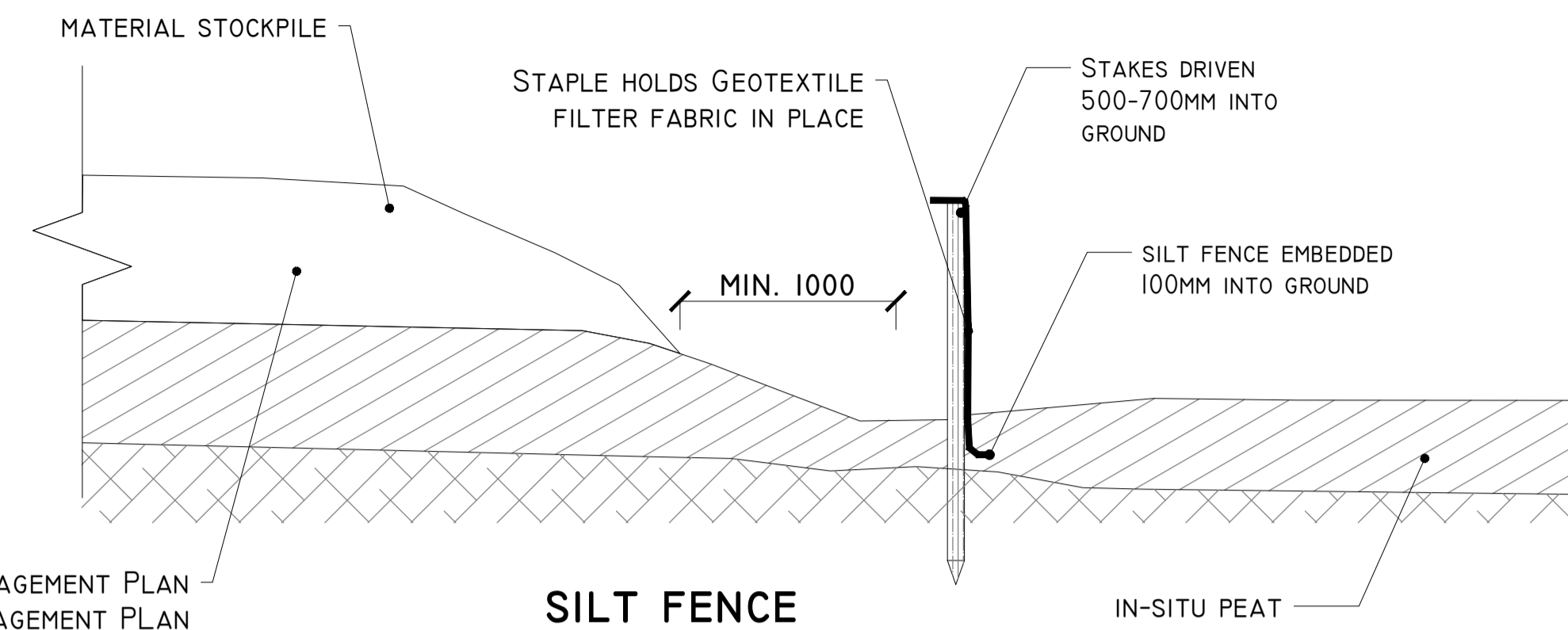


# DETAIL E



**SILT FENCE FOR WATERCOURSE PROTECTION**  
SCALE 1:25

# DETAIL F



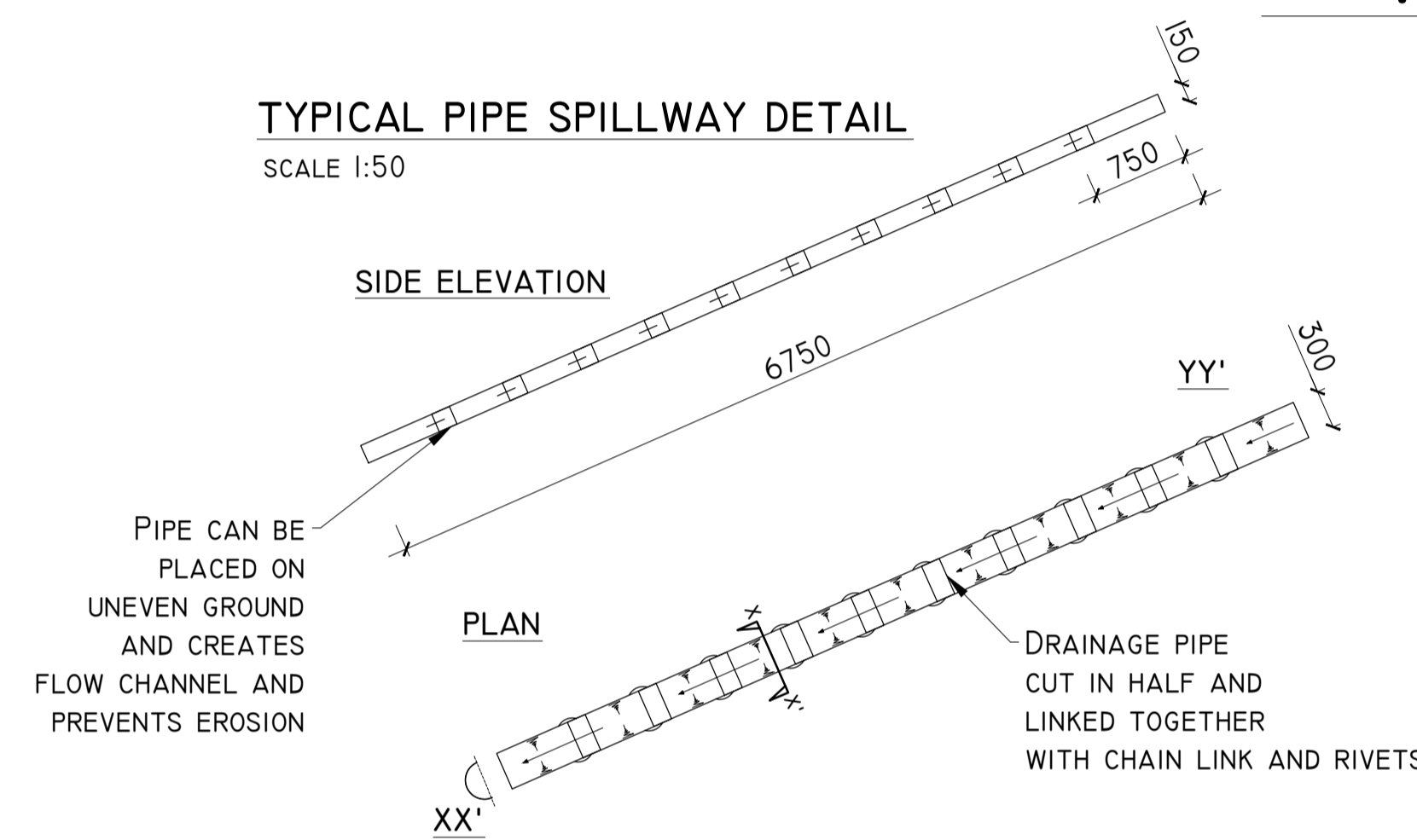
REFER TO HABITAT MANAGEMENT PLAN  
AND PEAT MANAGEMENT PLAN  
FOR STOCKPILE MANAGEMENT NOTES

**SILT FENCE**  
SCALE 1:25

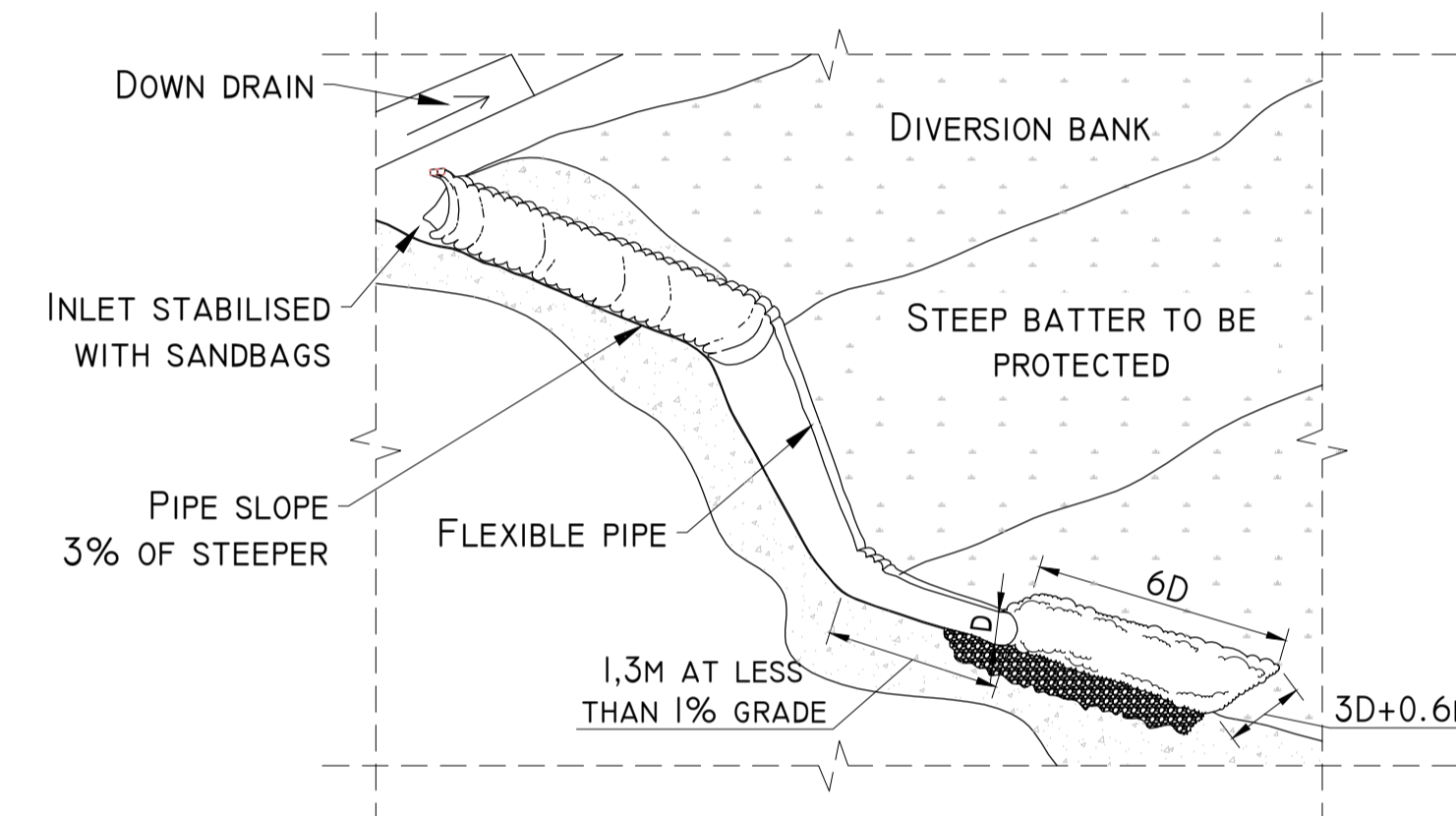
**PROJECT DESIGN DRAWING NOTES**  
1. DRAWINGS ISSUED ARE FOR CONSTRUCTION STAGE BUT ARE LIMITED BY AVAILABLE DESIGN INFORMATION.  
2. COPYRIGHT, ALL RIGHTS RESERVED. NO PART HERE WITH MAY BE COPIED OR REPRODUCED PARTIALLY OR WHOLLY IN ANY FORM WHATSOEVER WITHOUT THE PRIOR NOTICE OF THE COPYRIGHT OWNER HYDRO-ENVIRONMENTAL SERVICES.  
3. DO NOT SCALE OFF THIS DRAWING. FIGURES METRIC DIMENSIONS ONLY SHOULD BE TAKEN OFF THIS DRAWING. SEE NOTES ON SETTLEMENT POND SIZES.  
4. ALL CONTRACTORS, WHETHER MAIN OR SUB-CONTRACTORS, MUST VISIT THE SITE AND ARE RESPONSIBLE FOR TAKING AND CHECKING ANY AND ALL DIMENSIONS AND LEVELS THAT RELATE TO THE WORKS.  
5. THE USE OF OR RELIANCE UPON THIS DRAWING SHALL BE DEEMED TO BE ACCEPTANCE OF THESE CONDITIONS OF USE UNLESS OTHERWISE AGREED IN WRITING. SUCH WRITTEN AGREEMENT TO BE SOUGHT FROM AND ISSUED BY THE COPYRIGHT HOLDER TO THE USE OR RELIANCE UPON THIS DRAWING.

# DETAIL G

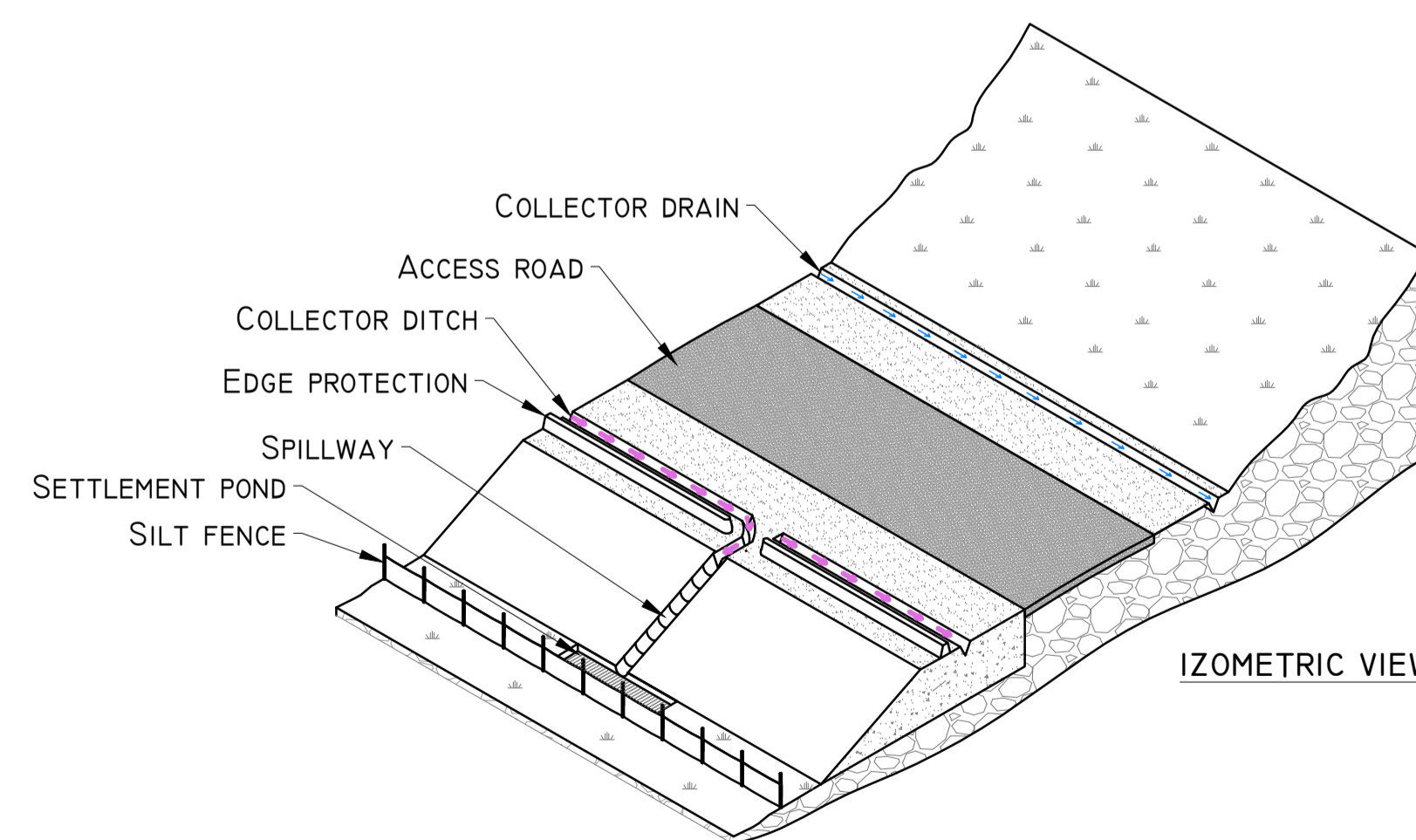
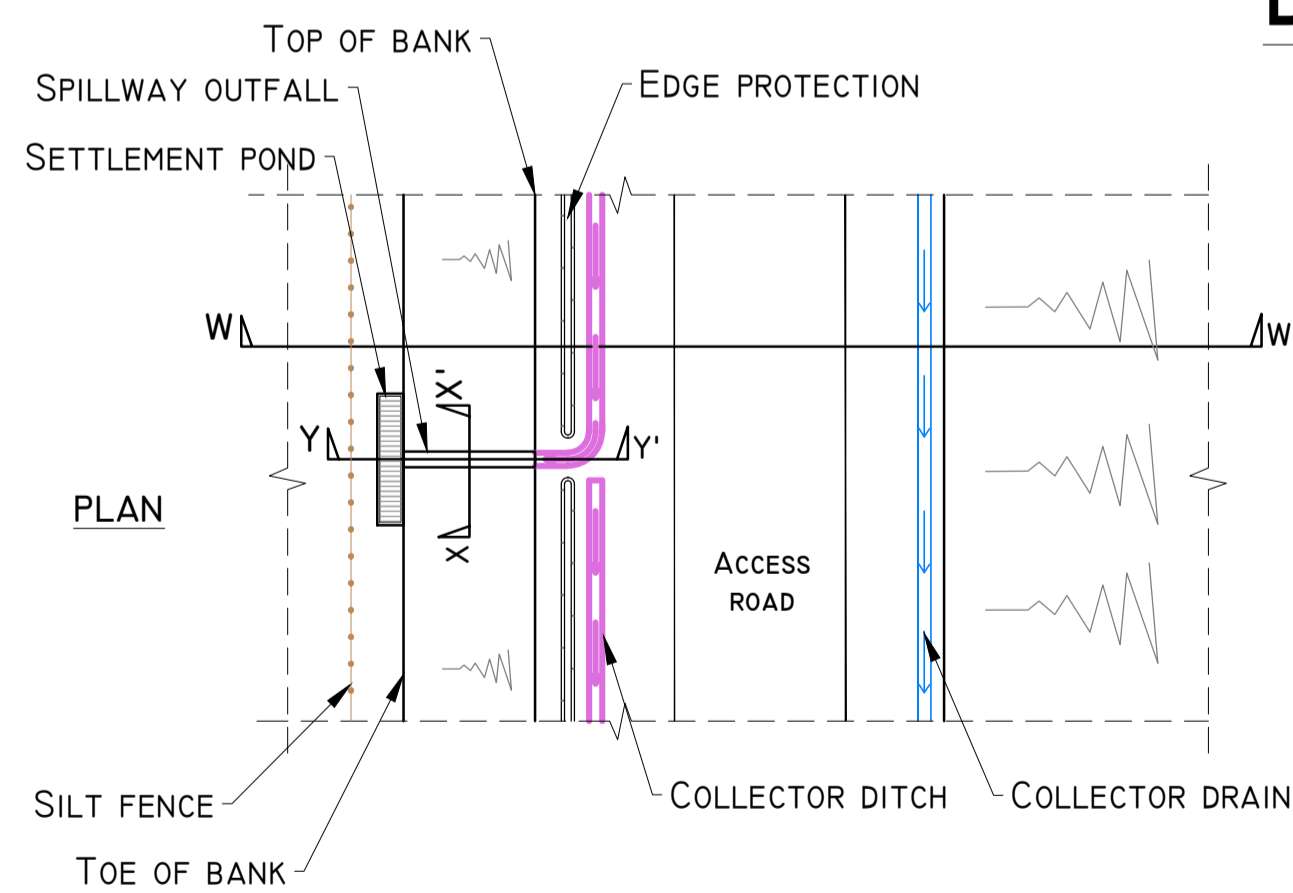
**TYPICAL PIPE SPILLWAY DETAIL**  
SCALE 1:50



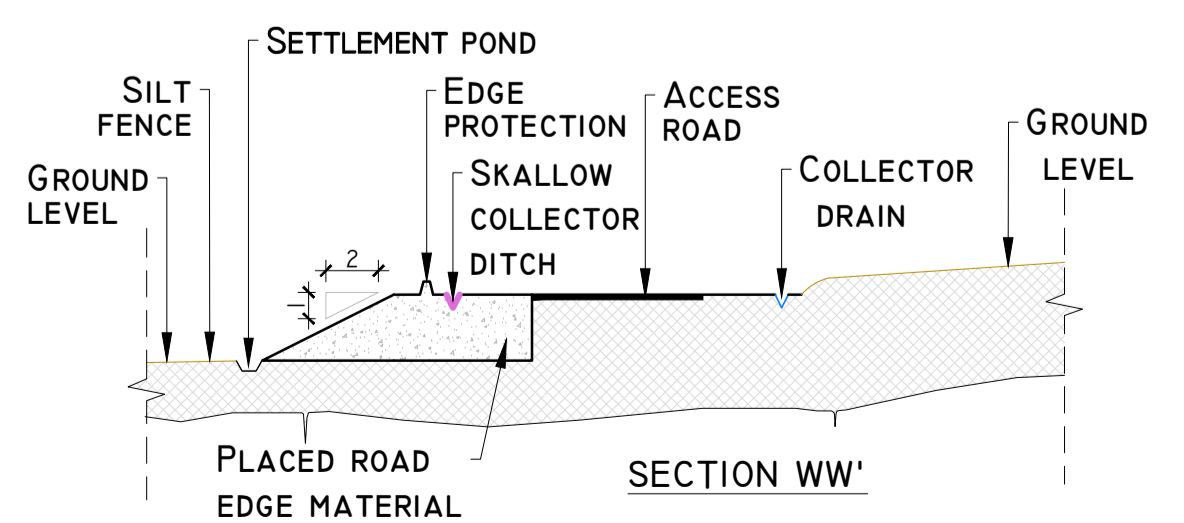
**TYPICAL PIPE SPILLWAY DETAIL**  
SCHEMATIC - NOT TO SCALE



# DETAIL H

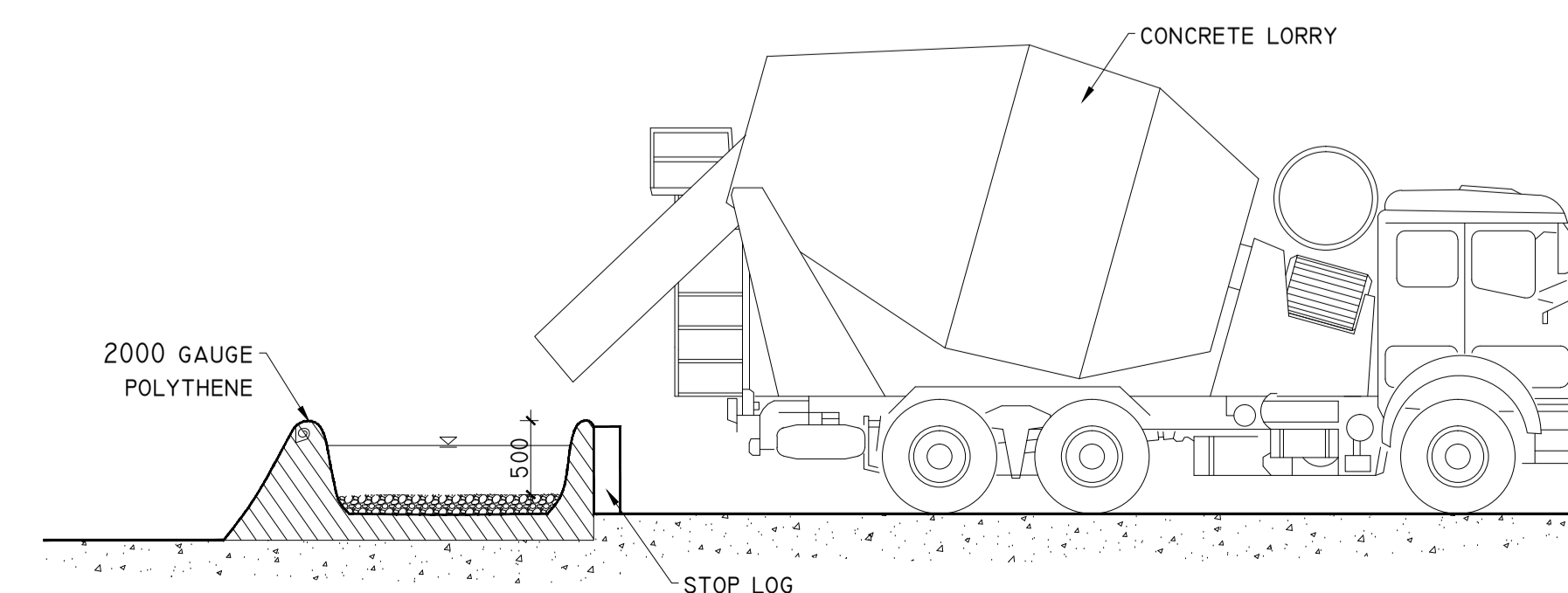
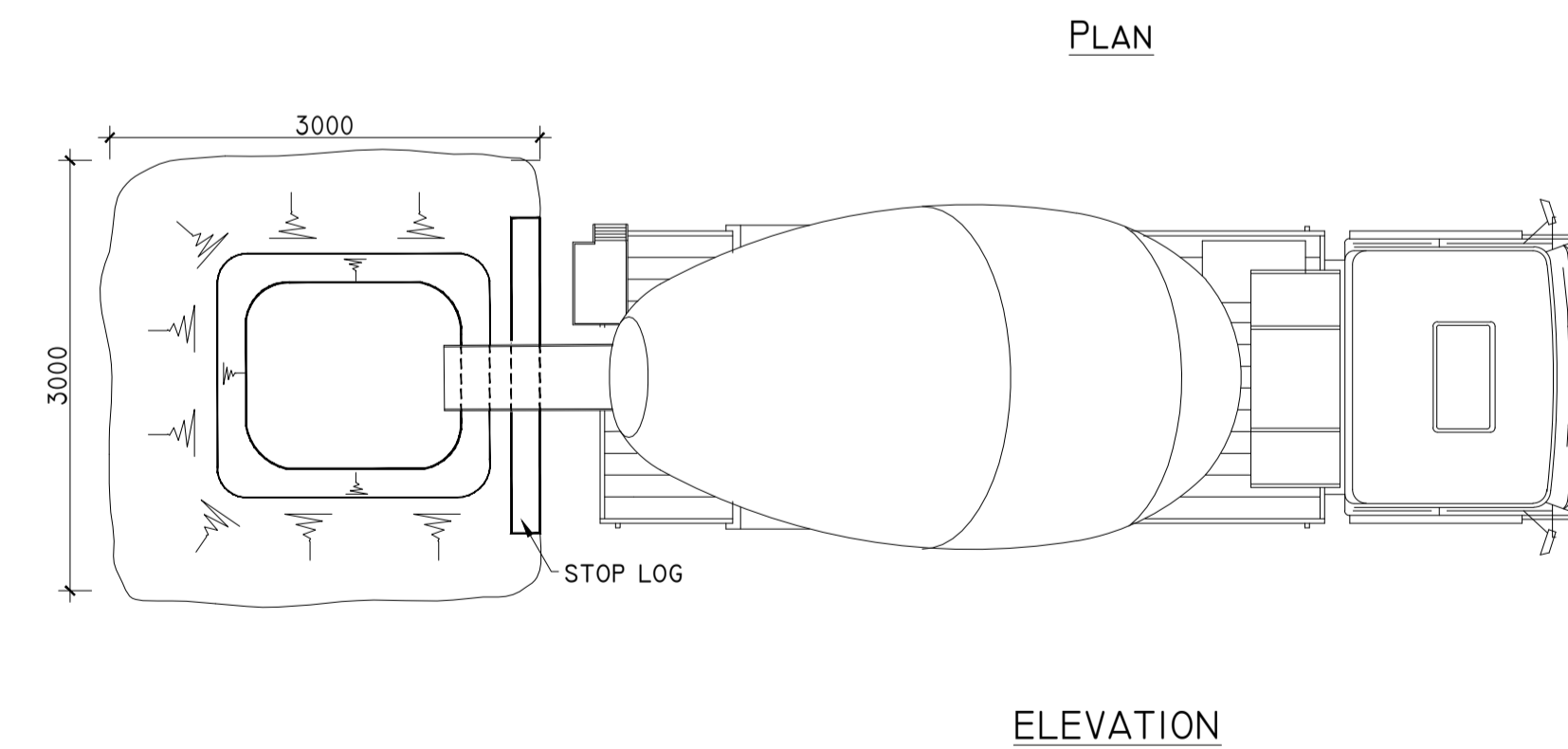


**SPILLWAY OUTFALL PLAN**  
SCHEMATIC - NOT TO SCALE



# DETAIL I

**TEMPORARY CONCRETE WASH OUT PIT**  
SCALE 1:50



Date	Description	Chkd	Signed
Revisions			

**HYDRO ENVIRONMENTAL SERVICES**  
22 Lower Main St  
Dungarvan  
Co. Waterford  
Ireland

tel: +353 (0) 58-44122  
tel: +353 (0) 58-44244  
email: info@hydroenvironmental.ie  
web: www.hydroenvironmental.ie

Client:  
**MCCARTHY KEVILLE O'SULLIVAN**

Job:  
**LYRENACARRIGA WF,  
CO. WATERFORD/CO. CORK**

Title:  
**DRAINAGE DETAILS 3**

Figure No:  
**D503**

Drawing No: P1453-0-0121-A1-D503-00A

Sheet Size: A1 Project No.: P1453-0

Scale: as shown (A1) Drawn By: MG/GD

Date: 04/01/2021 Checked By: M.G.