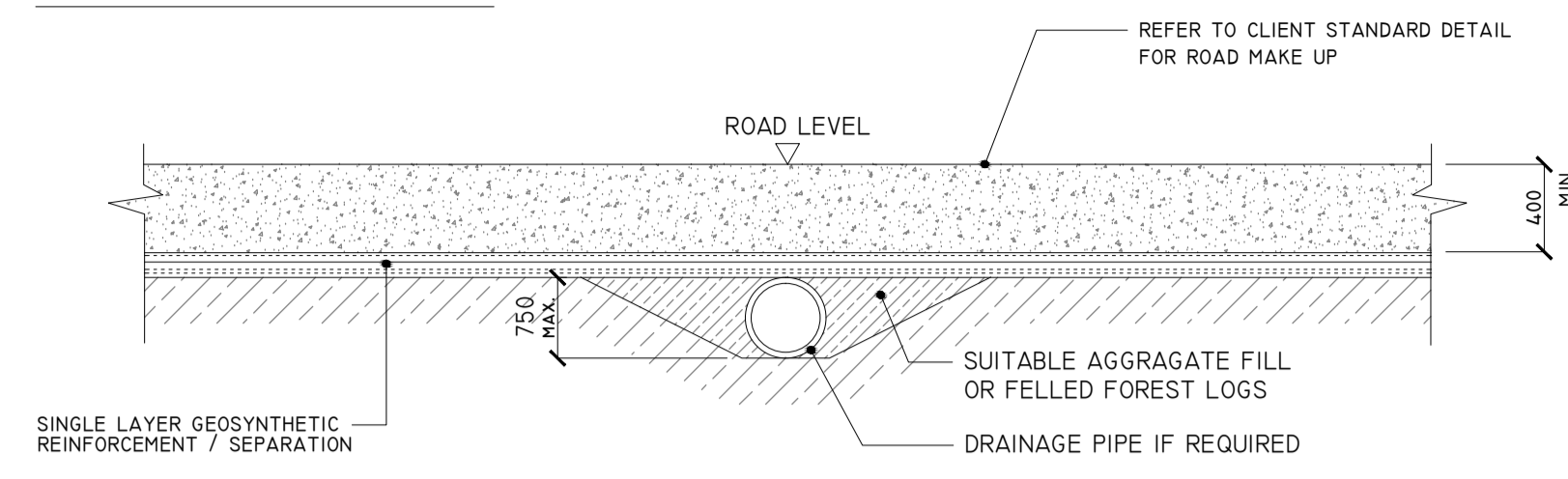
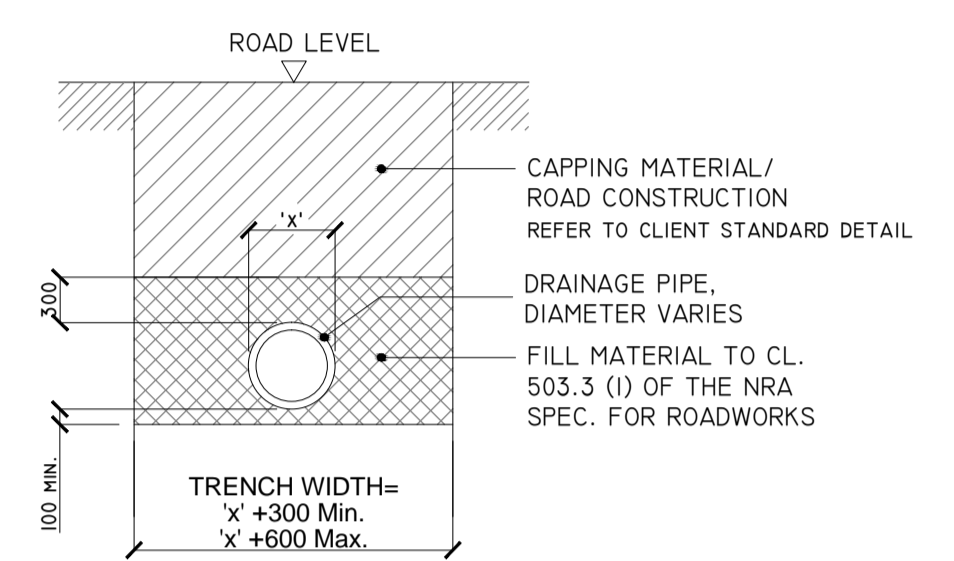


DETAIL B

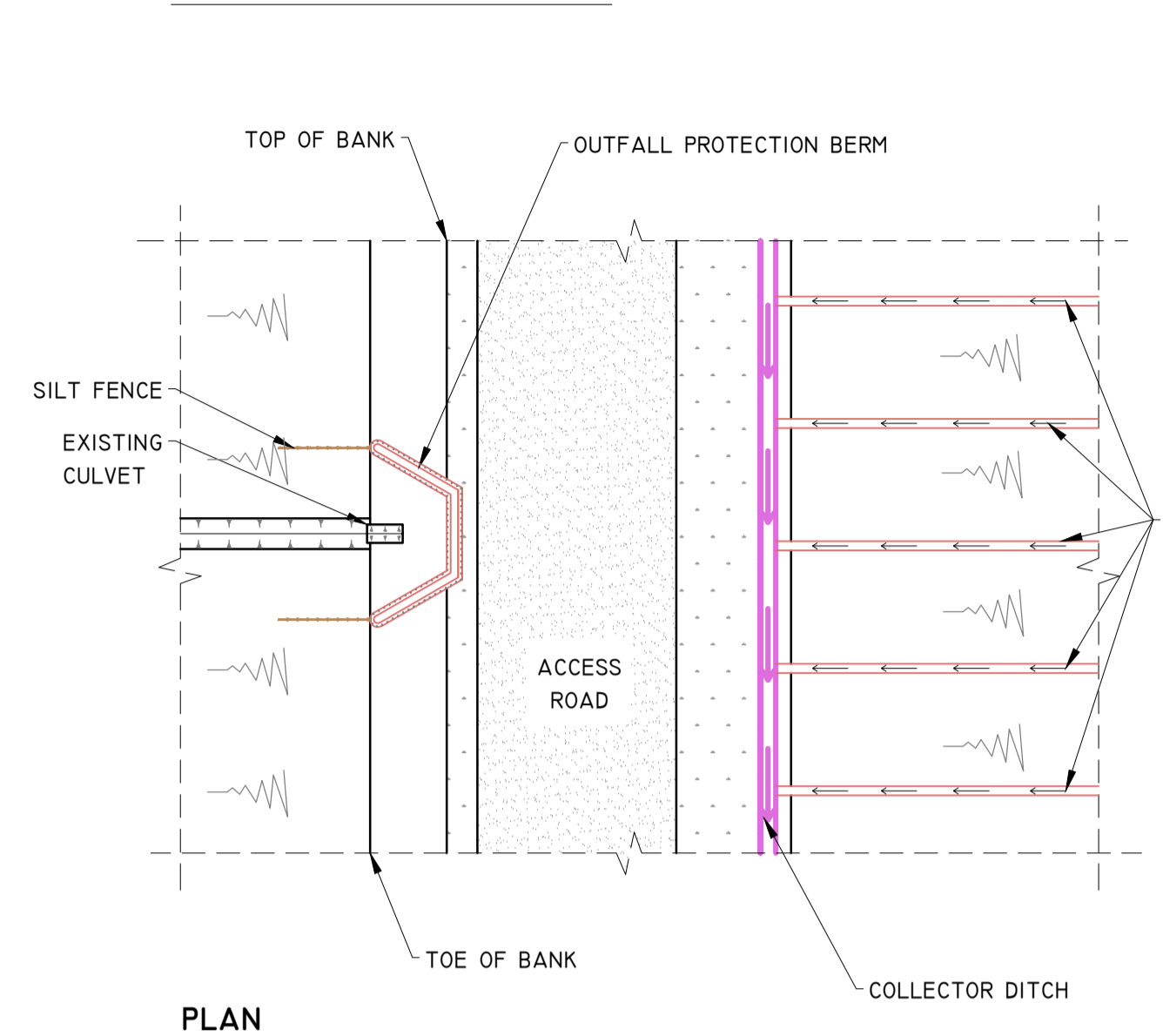


'TYPE A' CULVERT - DRAINAGE CROSSING BENEATH FLOATING ROAD
SCALE 1:100

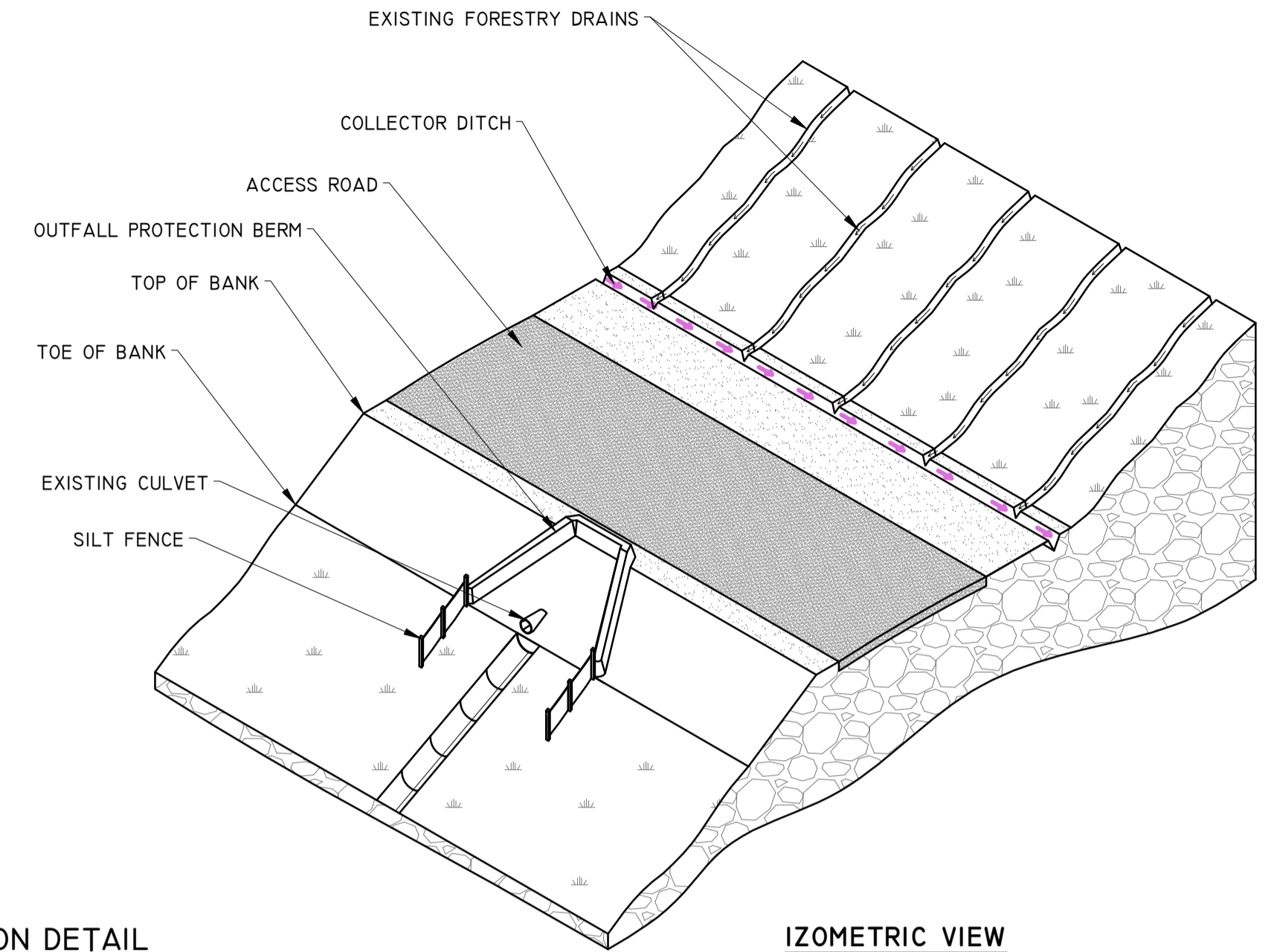


'TYPE B' CULVERT - DRAINAGE CROSSING BENEATH EXCAVATED ROAD
SCALE 1:50

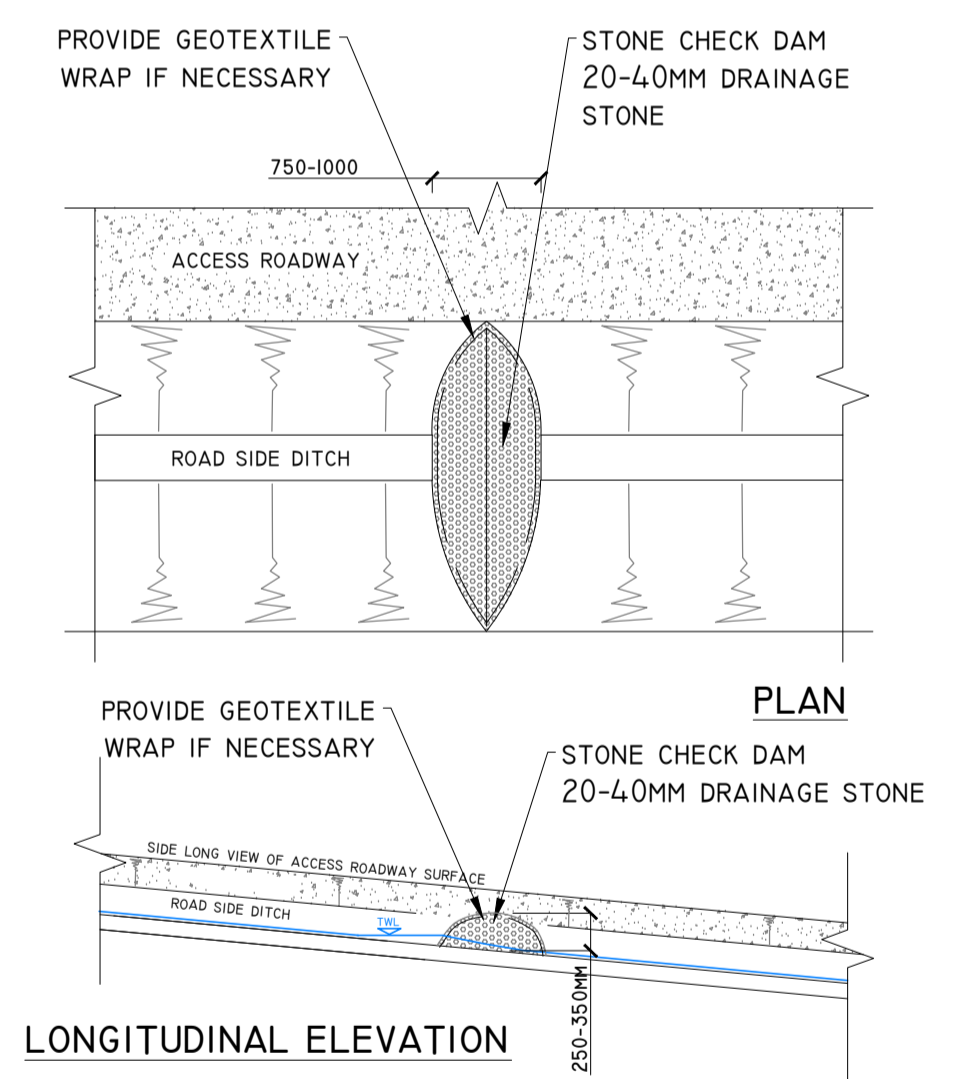
DETAIL BI



CULVERT - OUTFALL PROTECTION DETAIL
SCHEMATIC - NOT TO SCALE

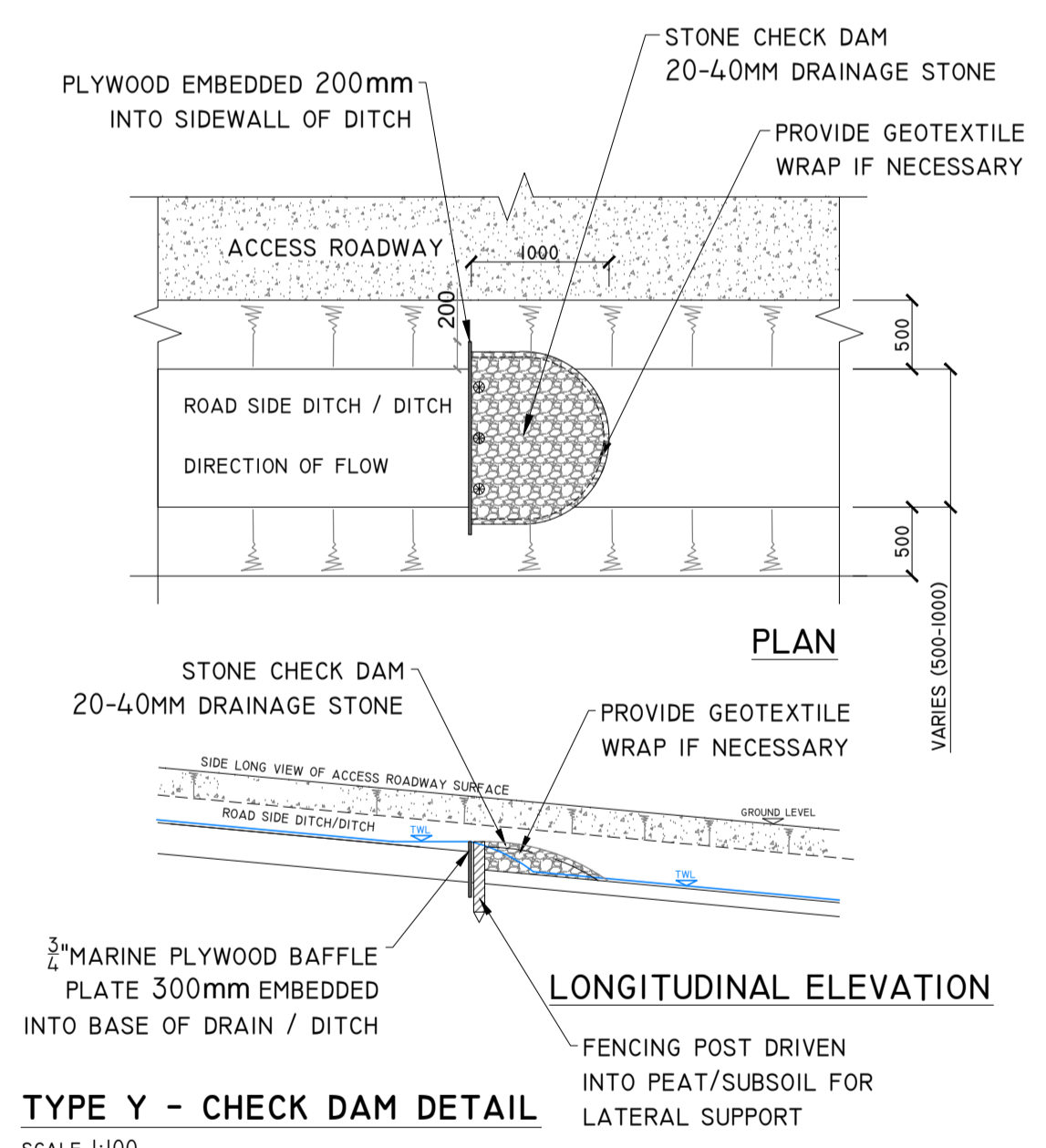


DETAIL C

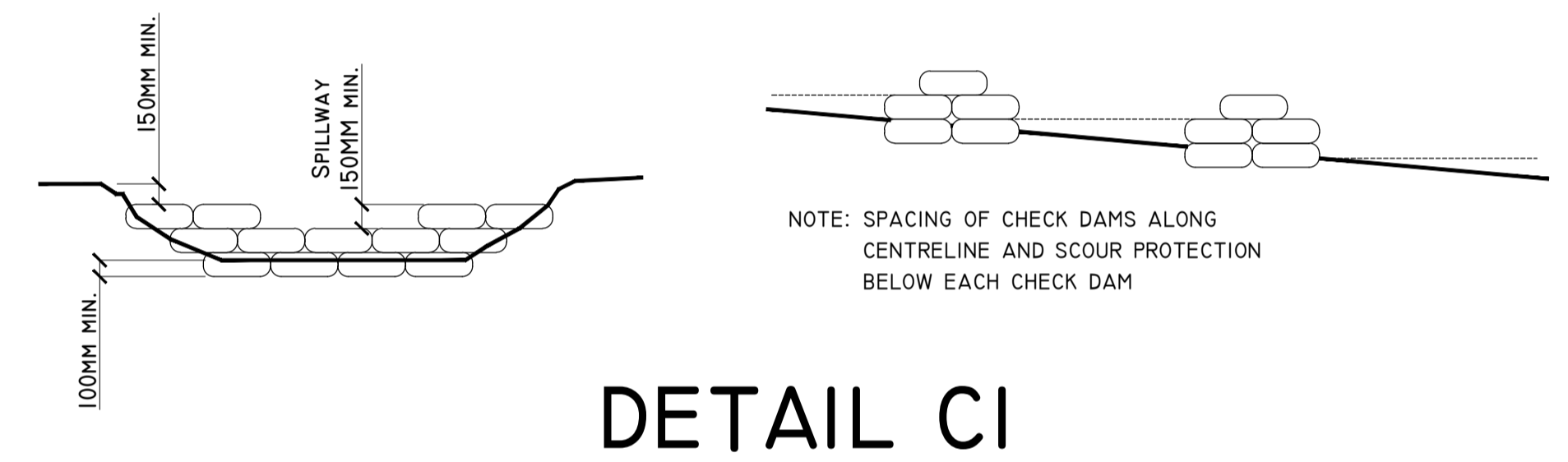


TYPE X - CHECK DAM DETAIL
SCALE 1:50

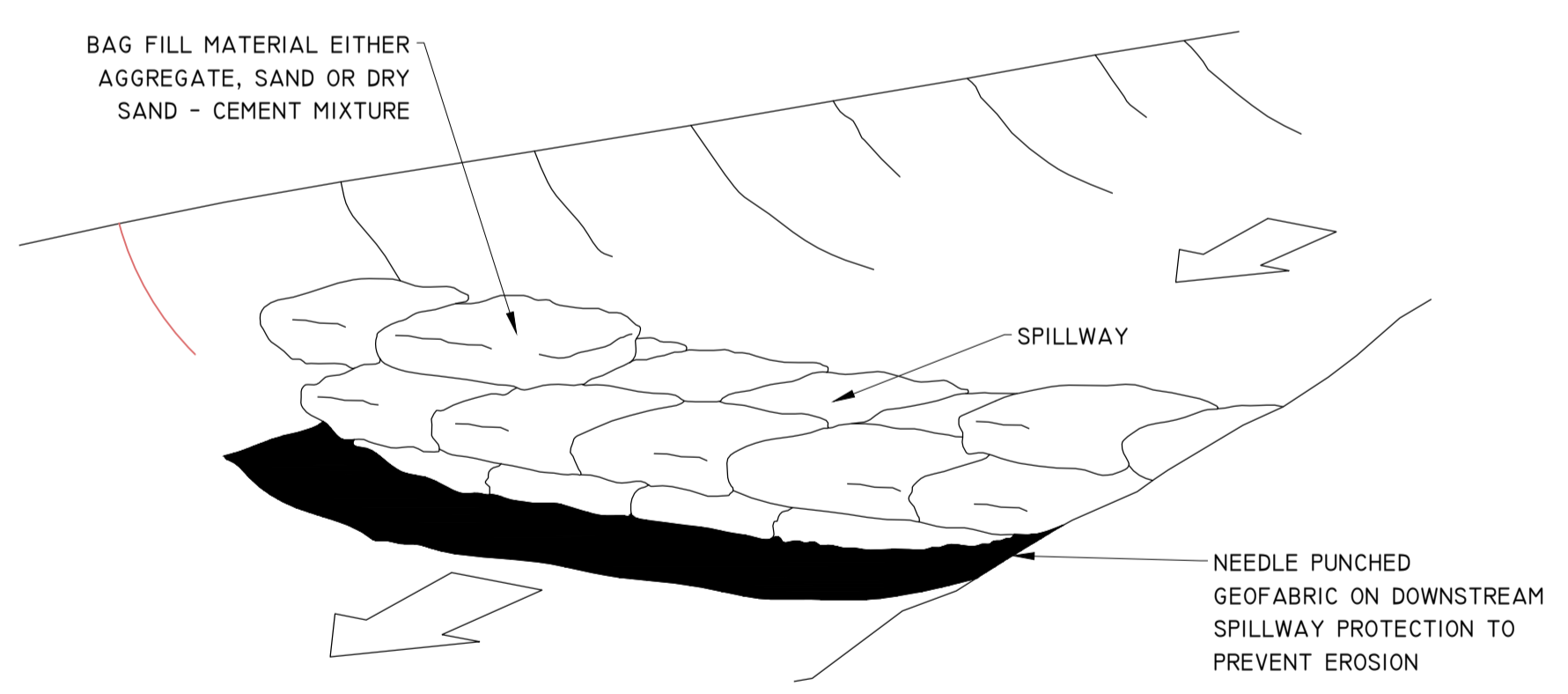
DETAIL D



TYPE Y - CHECK DAM DETAIL
SCALE 1:100

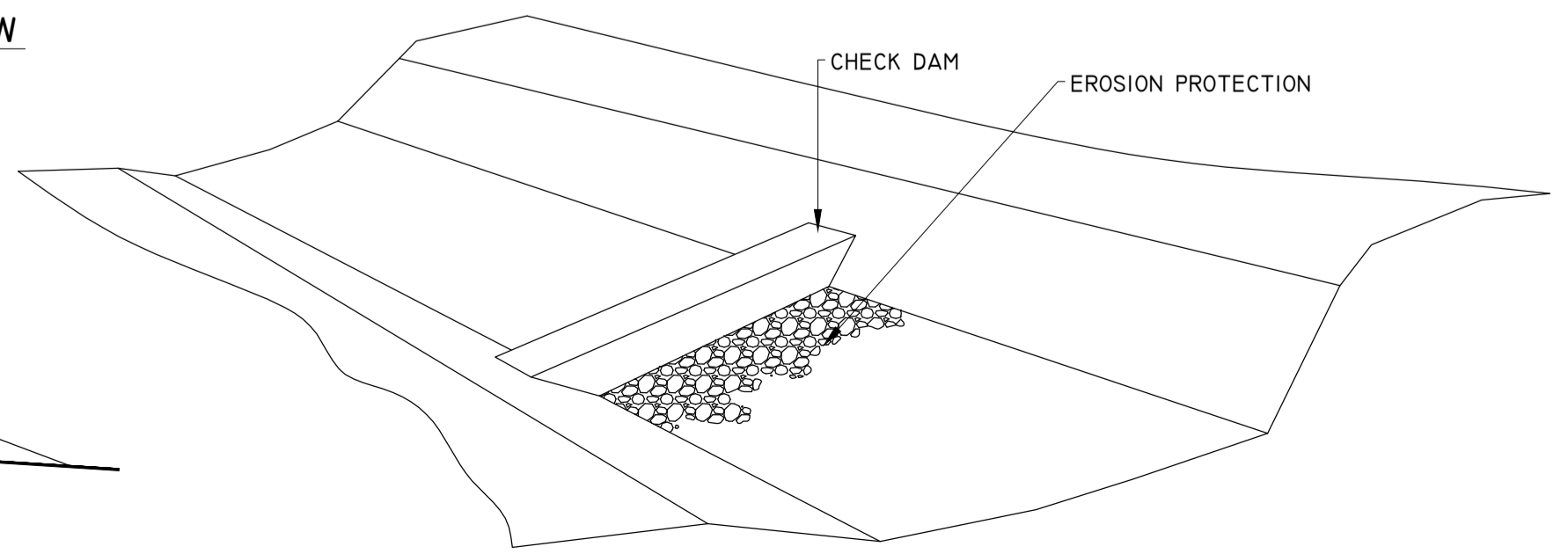
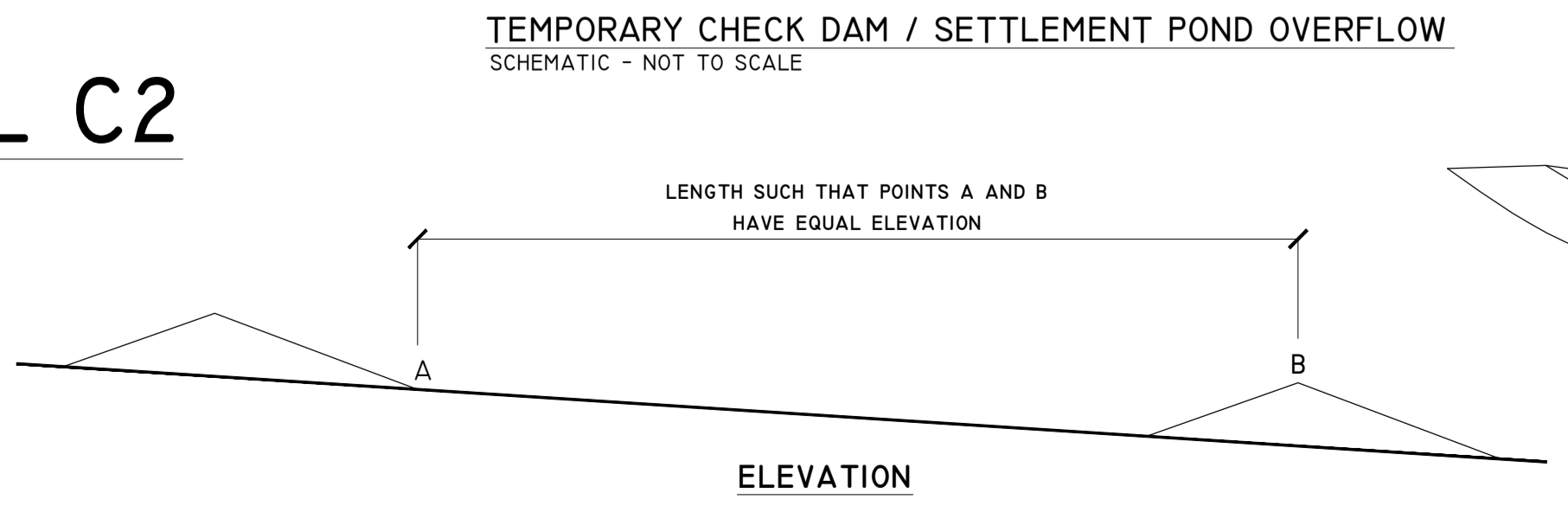


DETAIL CI



TEMPORARY CHECK DAM / SETTLEMENT POND OVERFLOW SAND FILLED BAG CONSTRUCTION
SCHEMATIC - NOT TO SCALE

DETAIL C2



PROJECT DESIGN DRAWING NOTES

1. DRAWINGS ISSUED ARE FOR CONSTRUCTION STAGE BUT ARE LIMITED BY AVAILABLE DESIGN INFORMATION.
2. COPYRIGHT, ALL RIGHTS RESERVED. NO PART HERE WITH MAY BE COPIED OR REPRODUCED PARTIALLY OR WHOLLY IN ANY FORM WHATSOEVER WITHOUT THE PRIOR NOTICE OF THE COPYRIGHT OWNER HYDRO-ENVIRONMENTAL SERVICES.
3. DO NOT SCALE OFF THIS DRAWING. FIGURED METRIC DIMENSIONS ONLY SHOULD BE TAKEN OFF THIS DRAWING. SEE NOTES ON SETTLEMENT POND SIZES.
4. ALL CONTRACTORS, WHETHER MAIN OR SUB-CONTRACTORS, MUST VISIT THE SITE AND ARE RESPONSIBLE FOR TAKING AND CHECKING ANY AND ALL DIMENSIONS AND LEVELS THAT RELATE TO THE WORKS.
5. THE USE OF OR RELIANCE UPON THIS DRAWING SHALL BE DEEMED TO BE ACCEPTANCE OF THESE CONDITIONS OF USE UNLESS OTHERWISE AGREED IN WRITING. SUCH WRITTEN AGREEMENT TO BE SOUGHT FROM AND ISSUED BY THE COPYRIGHT HOLDER TO THE USE OR RELIANCE UPON THIS DRAWING.

Date	Description	Chkd	Signed
Revisions			

HYDRO ENVIRONMENTAL SERVICES

22 Lower Main St
Dungarvan
Co. Waterford
Ireland

tel: +353 (0) 58-44122
tel: +353 (0) 58-44244
email: info@hydroenvironmental.ie
web: www.hydroenvironmental.ie

Client: MCCARTHY KEVILLE O'SULLIVAN

Job: LYRENACARRIGA WF, CO. WATERFORD/CO. CORK

Title: DRAINAGE DETAILS 2

Figure No: D502

Drawing No: P1453-0-0121-A1-D502-00A
Sheet Size: A1 Project No.: P1453-0
Scale: as shown (A1) Drawn By: MG/GD
Date: 04/01/2021 Checked By: M.G.