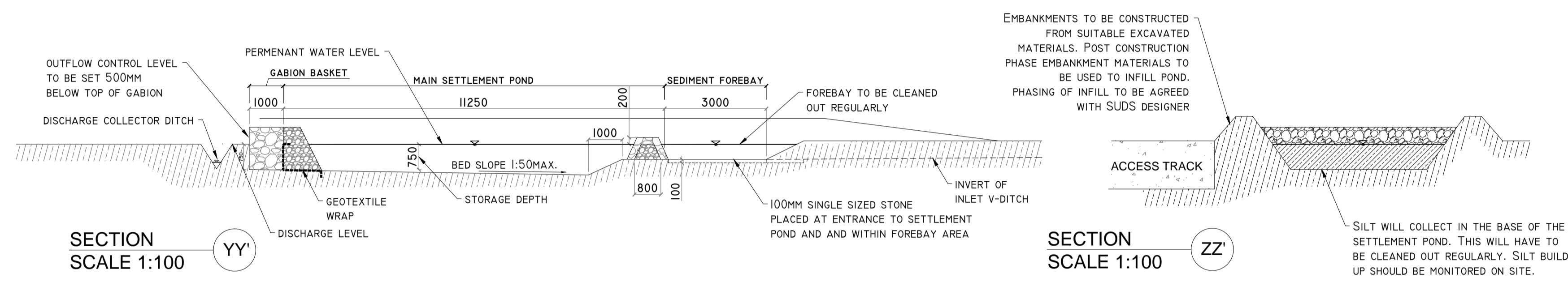


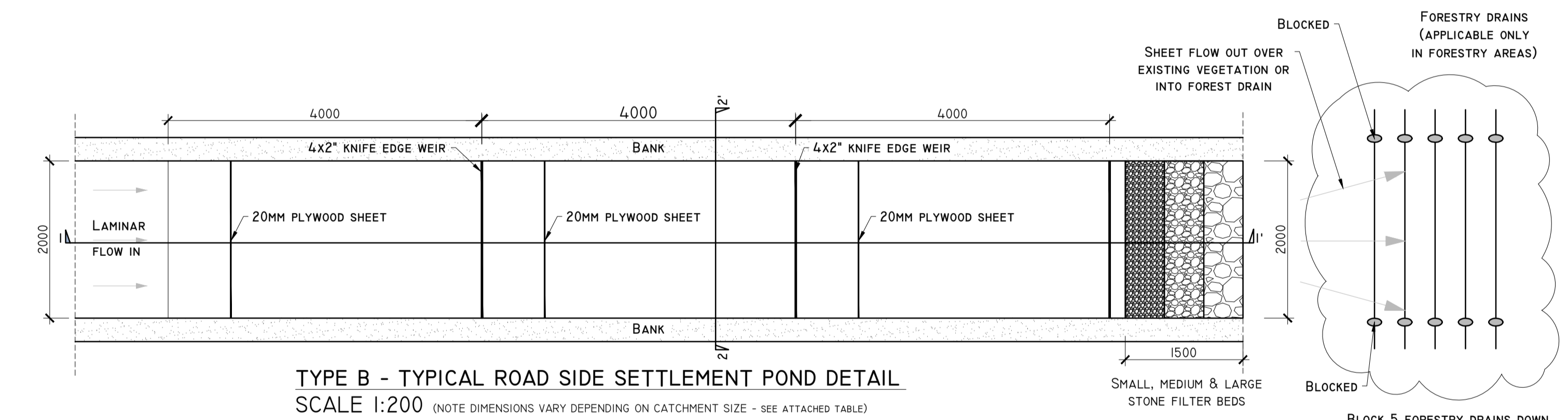
DETAIL A1

TYPE A - TYPICAL ROAD SIDE SETTLEMENT POND DETAIL
SCALE 1:200 (NOTE DIMENSIONS VARY DEPENDING ON CATCHMENT SIZE - SEE ATTACHED TABLE)

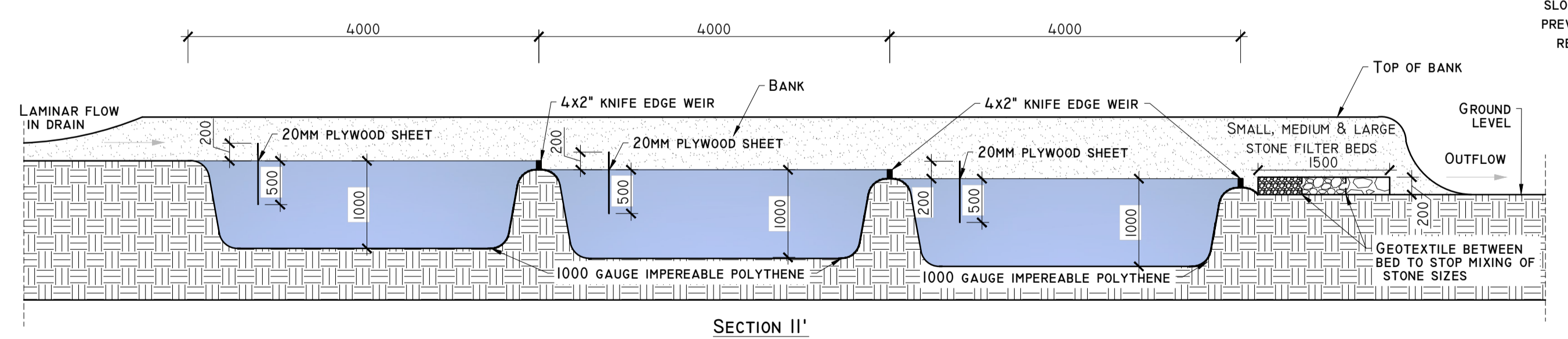


SECTION YY'
SCALE 1:100

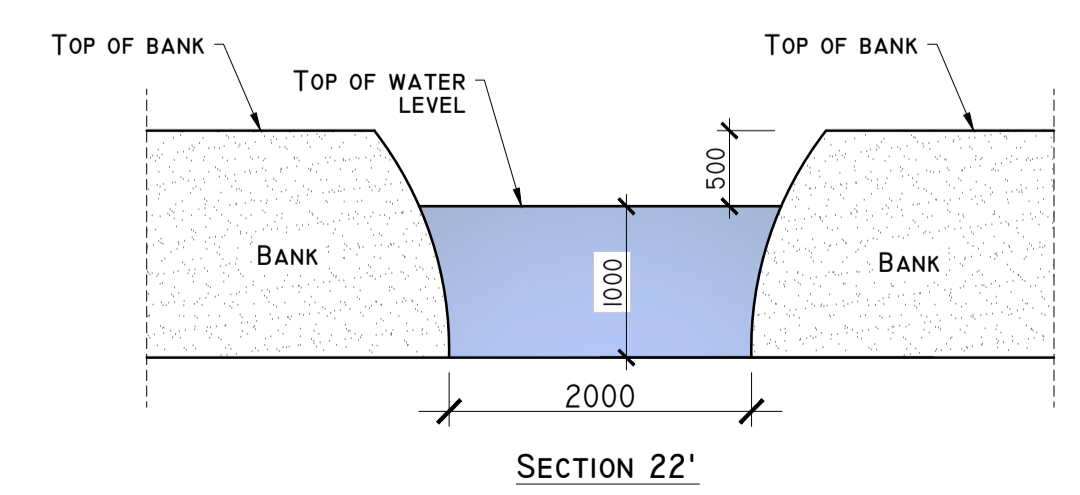
SECTION ZZ'
SCALE 1:100



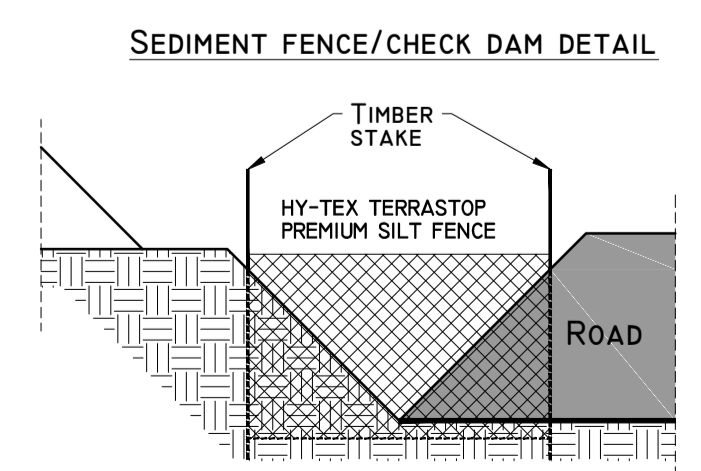
TYPE B - TYPICAL ROAD SIDE SETTLEMENT POND DETAIL
SCALE 1:200 (NOTE DIMENSIONS VARY DEPENDING ON CATCHMENT SIZE - SEE ATTACHED TABLE)



SECTION II'



SECTION 22'



DETAIL A2

PROJECT DESIGN DRAWING NOTES
 1. DRAWINGS ISSUED ARE FOR CONSTRUCTION STAGE BUT ARE LIMITED BY AVAILABLE DESIGN INFORMATION.
 2. COPYRIGHT, ALL RIGHTS RESERVED. NO PART HERE WITH MAY BE COPIED OR REPRODUCED PARTIALLY OR WHOLLY IN ANY FORM WHATSOEVER WITHOUT THE PRIOR NOTICE OF THE COPYRIGHT OWNER HYDRO-ENVIRONMENTAL SERVICES.
 3. DO NOT SCALE OFF THIS DRAWING. FIGURED METRIC DIMENSIONS ONLY SHOULD BE TAKEN OFF THIS DRAWING. SEE NOTES ON SETTLEMENT POND SIZES.
 4. ALL CONTRACTORS, WHETHER MAIN OR SUB-CONTRACTORS, MUST VISIT THE SITE AND ARE RESPONSIBLE FOR TAKING AND CHECKING ANY AND ALL DIMENSIONS AND LEVELS THAT RELATE TO THE WORKS.
 5. THE USE OF OR RELIANCE UPON THIS DRAWING SHALL BE DEEMED TO BE ACCEPTANCE OF THESE CONDITIONS OF USE UNLESS OTHERWISE AGREED IN WRITING. SUCH WRITTEN AGREEMENT TO BE SOUGHT FROM AND ISSUED BY THE COPYRIGHT HOLDER TO THE USE OR RELIANCE UPON THIS DRAWING.

Date	Description	Chkd	Signed

HYDRO ENVIRONMENTAL SERVICES
 22 Lower Main St
 Dungarvan
 Co. Waterford
 Ireland

tel: +353 (0) 58-44122
 tel: +353 (0) 58-44244
 email: info@hydroenvironmental.ie
 web: www.hydroenvironmental.ie

Client: **MCCARTHY KEVILLE O'SULLIVAN**

Job: **LYRENACARRIGA WF, CO. WATERFORD/CO. CORK**

Title: **DRAINAGE DETAILS 1**

Figure No: **D501**

Drawing No: P1453-0-0121-A1-D501-00A
 Sheet Size: A1 Project No.: P1453-0
 Scale: as shown (A1) Drawn By: MG/GD
 Date: 04/01/2021 Checked By: M.G.