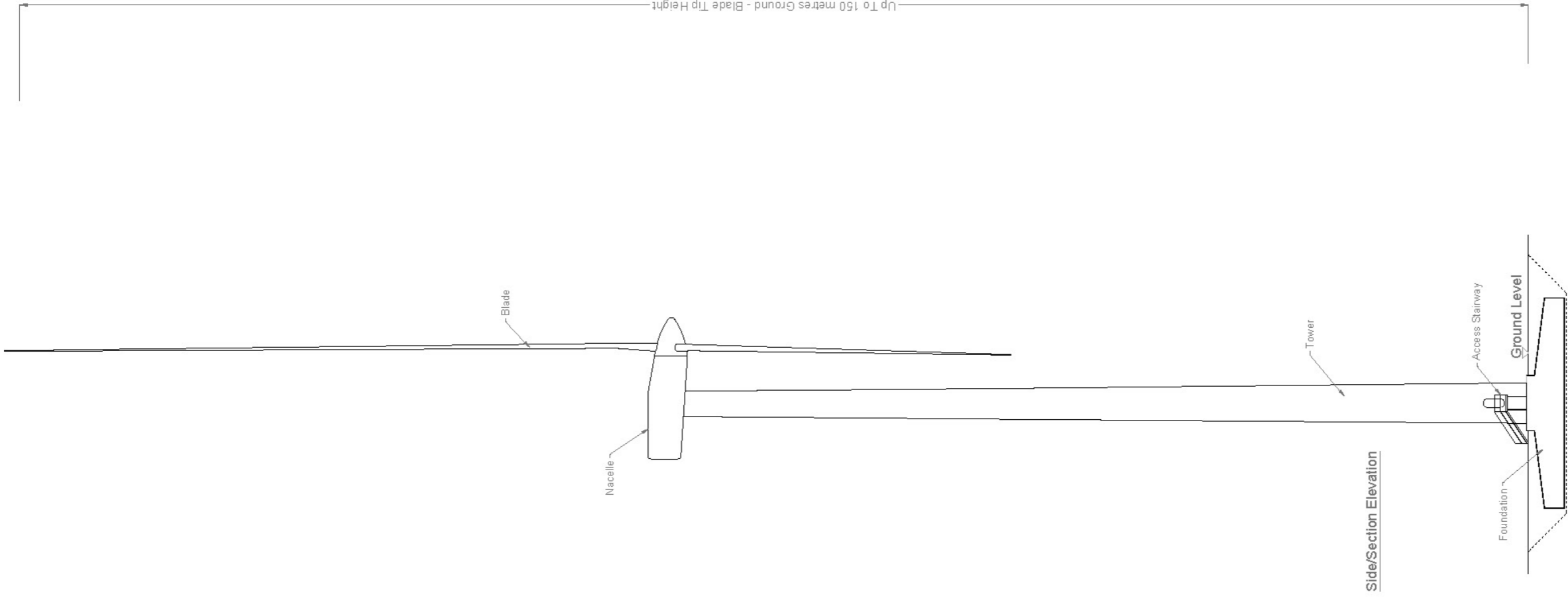
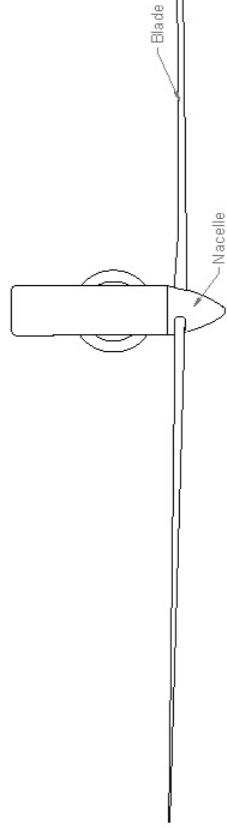


**Drawing Notes**

1. Proposed wind turbines to have a maximum ground to blade tip height of up to 150m.
2. Exact make and model of the turbine to be dictated by a competitive tender process.
3. Installed wind turbine not to exceed maximum size envelope set out above in any blade length and hub-height configuration.



Side/Section Elevation



Plan

DRAWING TITLE

### Typical Wind Turbine Elevation & Plan

PROJECT TITLE

Lyrenacarriga Wind Farm,  
Co. Cork & Co. Waterford

DRAWING NO.

Joseph O'Brien

CHECKED BY

Lorraine Meehan

PROJECT NO.

170749

DRAWING NO.

170749 - 38

SCALE

1:500 @A3

DATE

05.01.2021



MKO

Team Road, Galway  
Tel: +353 (0)90 41964  
+353 (0)90 73503  
email: info@www.mkoreland.ie  
Website: www.mkoreland.ie